

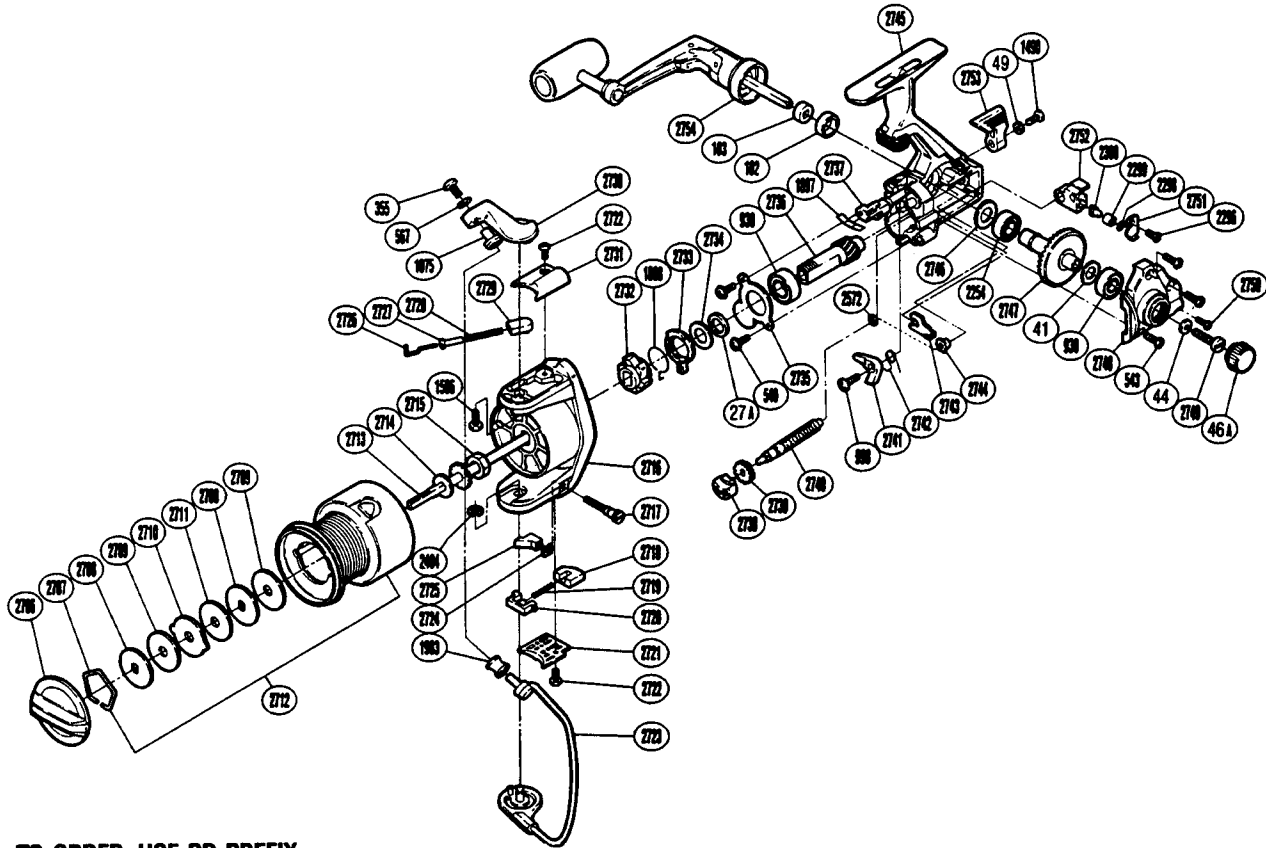
EXPLODED PARTS VIEW

**TITANES
BIOMASTER
GT1000** 

SHIMANO[®]

1990 REPAIR MANUAL

Shimano American Corporation, One Shimano Dr.
Irvine, CA 92718



**TO ORDER: USE RD PREFIX
WITH PART NUMBER**

PARTS LIST

RD #	DESCRIPTION	RD #	DESCRIPTION	RD #	DESCRIPTION
0027A	Pinion Spacer	2572	Worm Shaft Spacer (Optional)	2730	Bail Arm
0041	Drive Gear Washer	2706	Drag Knob	2731	Bail Spring Cover
0044	Handle (Screw) Lock Washer	2707	Drag Washers Retainer	2732	Anti-Reverse Ratchet
0046A	Handle Screw Cap	2708	Key Washer	2733	Anti-Reverse Lock Out
0049	Lock Washer	2709	Drag Washer 1	2734	Anti-Reverse Lock Out Space
0102	Handle Lock Ring	2710	Eared Washer	2735	Bearing Retainer
0103	Handle Lock Spacer	2711	Drag Washer 2	2736	Pinion Gear
0355	Line Roller Screw (Nylock)	2712	Spool Assembly	2737	Anti-Reverse Cam
0540	Anti-Reverse Pawl Screw	2713	Main Shaft	2738	Worm Bearing (Front)
0543	Side Cover Screw [B]	2714	Spool Washer	2739	Idle Gear
0567	Lock Washer	2715	Rotor Nut	2740	Worm Shaft
0930	Ball Bearing	2716	Rotor	2741	Anti-Reverse Pawl
0998	Anti-Reverse Pawl Screw	2717	Trip Adjustment Screw	2742	Anti-Reverse Pawl Spring
1075	Line Roller Washer	2718	Trip Adjustment Guide	2743	Worm Shaft Retainer
1490	Anti-Reverse Lever Screw	2719	Trip Adjustment Spring	2744	Worm Bearing (Rear)
1506	Bail Spring Cover Screw	2720	Trip Adjustment Slider	2745	Body
1888	Anti-Reverse Lock Out Spring	2721	Bail Trip Cover	2746	Drive Gear Spacer
1897	Anti-Reverse Cam Spring	2722	Bail Spring Cover Screw	2747	Drive Gear
1983	Sic Ceramic Roller	2723	Bail Assembly	2748	Side Cover
2254	Ball Bearing	2724	Adjustment Screw Retainer	2749	Handle Lock Screw
2296	Slider Retainer Screw	2725	Trip Adjustment Cam	2750	Side Cover Screw
2298	Spacer	2726	Bail Spring Guide [A]	2751	Oscillating Cover Screw
2299	Oscillating Slider Bushing	2727	Bail Spring Bushing	2752	Oscillating Slider
2300	Oscillating Pawl	2728	Bail Spring	2753	Anti-Reverse Lever
2404	Idle Gear Retainer	2729	Bail Spring Guide [B]	2754	Handle Assembly

Prices and specifications subject to change without notice.